

C510



**rinstrum**  
SMART WEIGHING SOLUTIONS



# Rinstrum C510

## bringing together 25 years of smart weighing

The C510 industrial weight controller is the newest offering in Rinstrum's state-of-the-art C500 Series.

Ideal for truck weighing and process control applications, the C510 is a direct drop in replacement for WE2110 and WE2111 indicators from HBM as well as the Rinstrum 5000.

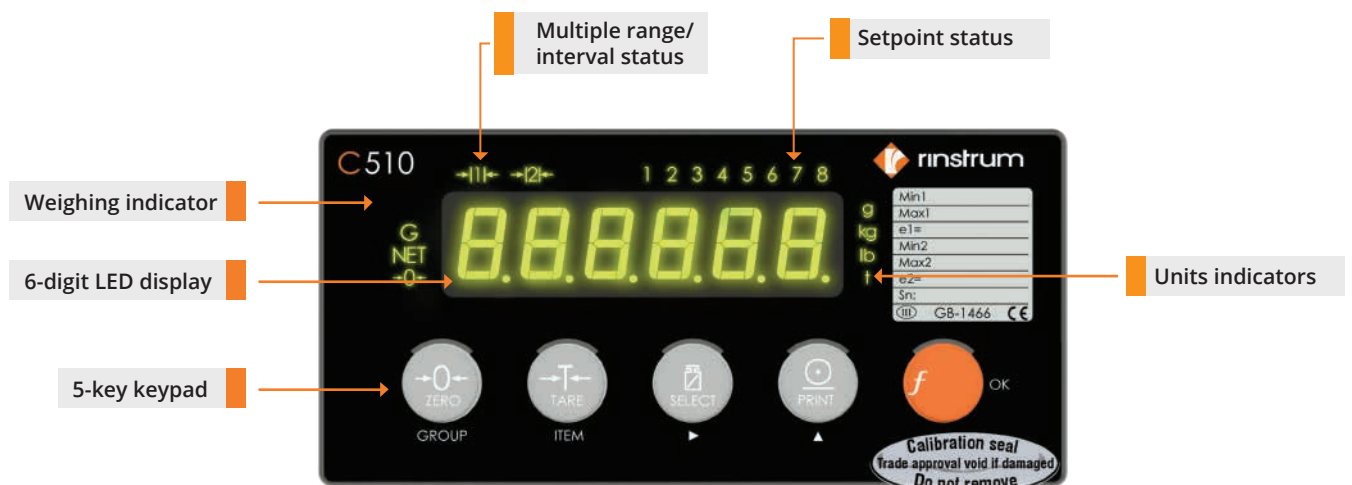
The C510 has a high-contrast LED display and a 5-button keypad, and has a host of connectivity options, such as USB (Host and Slave) and Ethernet. It also supports Modbus TCP and legacy ASCII. Functionality can be extended via support for add-on modules that may provide

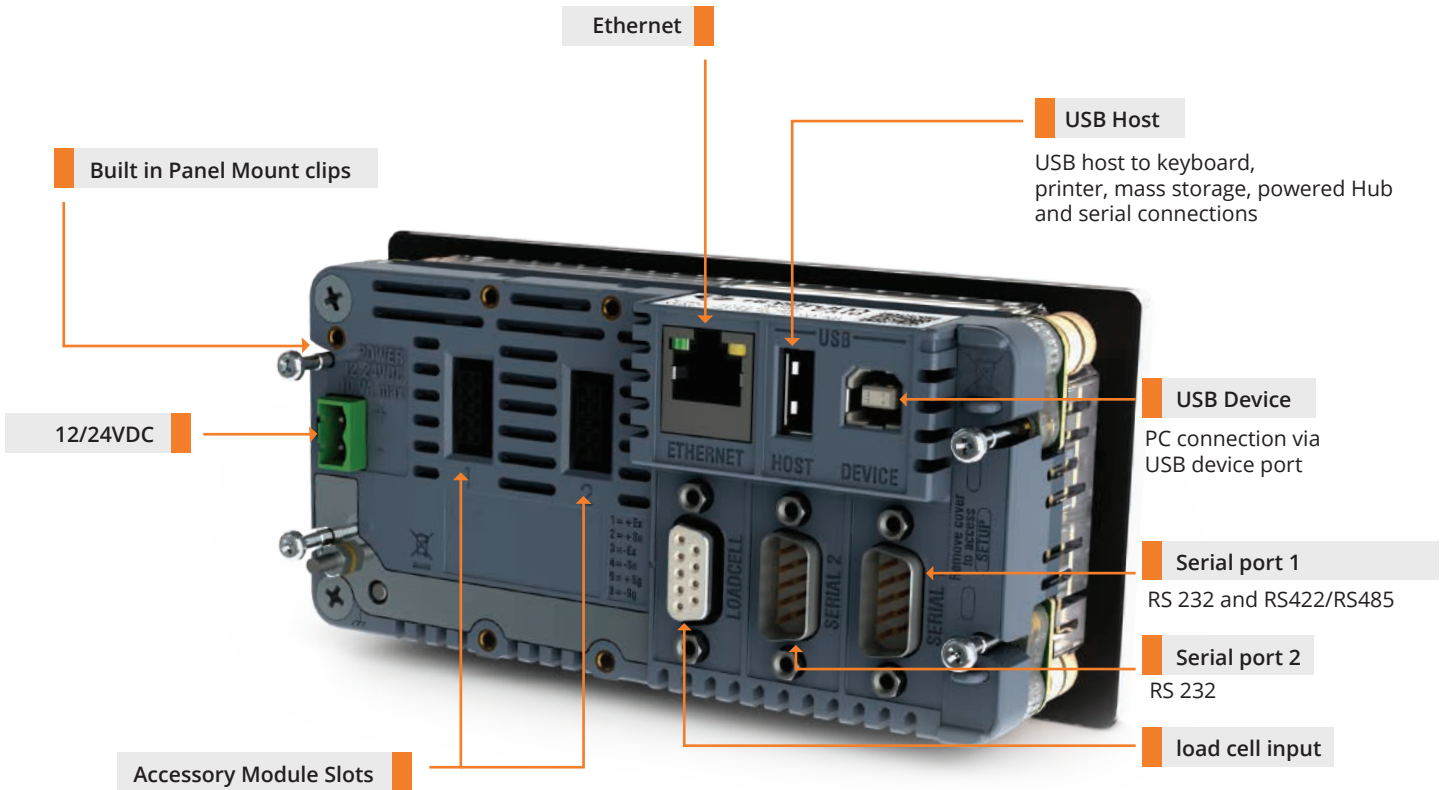
- Up to 8 digital I/O
- Analogue output including two isolated I/O
- Isolated RS232 or RS485

The indicator can be set up using the C510 Viewer software (for PC) through Ethernet or a USB Slave port.

## Features

- Compact ½ DIN standard housing
- 10,000d @ 0.5  $\mu$  V/d OIML R76
- 16 x 350 $\Omega$  load cells
- European WELMEC compliant legal for trade data storage
- Gross, Net, Tare, Print
- Programmable function key
- Diagnostics via Ethernet or USB slave
- Ethernet, USB, RS-485/RS-232 interfaces
- MODBUS TCP, Legacy ASCII



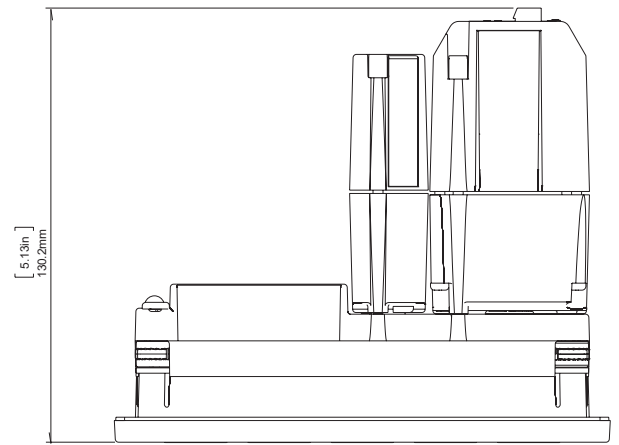
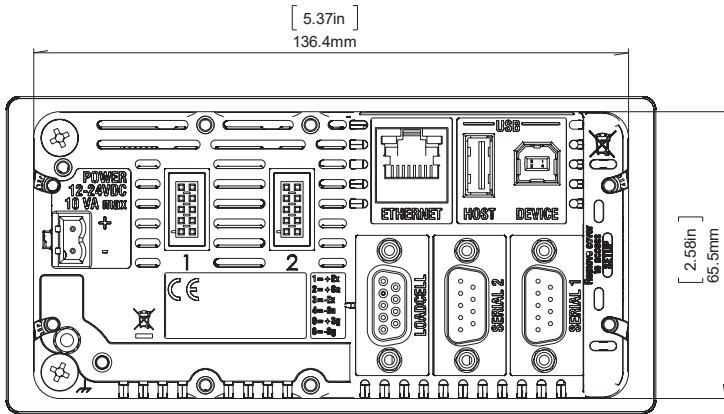
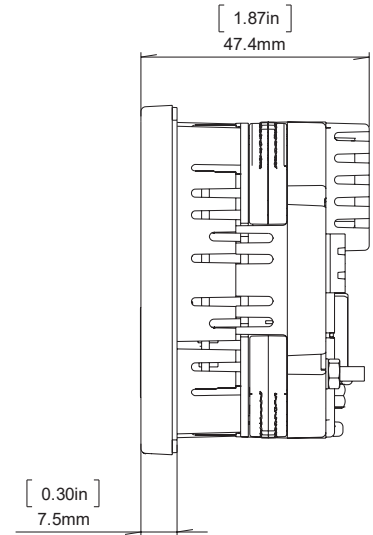
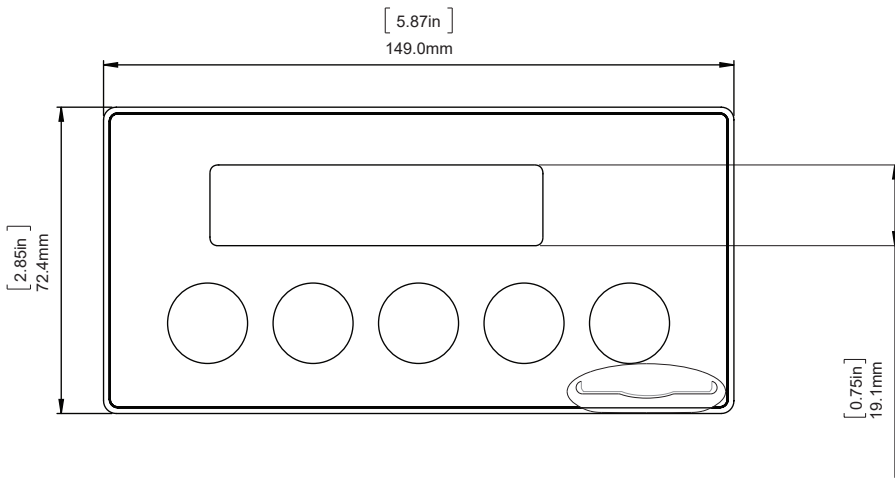


## Accessory Modules



RS232/ RS232 Module	RS485/RS485 Module	AC Module	Analog Output	I/O Module
<ul style="list-style-type: none"> <li>Electrically isolated RS232 serial communication</li> <li>Status LEDs</li> </ul>	<ul style="list-style-type: none"> <li>Electrically isolated RS485 networking</li> <li>Status LEDs</li> </ul>	<ul style="list-style-type: none"> <li>110-240 VAC in</li> <li>12 VDC out</li> </ul>	<ul style="list-style-type: none"> <li>4-20mA or 0-10V analog output</li> <li>Electrically isolated</li> <li>Fast 400Hz update</li> <li>2 I/O</li> </ul>	<ul style="list-style-type: none"> <li>8 I/O Configure as input or output</li> <li>Electrically isolated</li> <li>Status LEDs</li> <li>Outputs – high current DC</li> <li>Active high I/O</li> </ul>

# C510



With AC Module and Analogue Module fitted



## AUSTRALIA

Rinstrum Pty Ltd  
41 Success Street  
Acacia Ridge 4110  
Australia

Ph: +61 7 3216 7166  
Fax: +61 7 3216 6211  
Email: sales@rinstrum.com

## USA

Rinstrum Inc  
1349 Piedmont Drive  
Troy, Michigan 48083  
United States

Toll Free 1 877 829 9152  
Ph: +1 248 680 0320  
Fax: +1 248 499 1331  
Email: sales.usa@rinstrum.com

## EUROPE

Rinstrum Europe GmbH  
Hans-Böckler-Straße 42  
D-40764 Langenfeld  
Germany

Ph: +49 (0)2173 165162-10  
Fax: +49 (0)2173 165162-29  
Email: sales.eu@rinstrum.com